

DATE:	LOCATION:
TYPE:	PROJECT:
CATALOG #:	

Vanish

PETROLEUM GAS CANOPY

FEATURES

- Edge-Lit technology for even illumination
- Low profile 2.1" depth design virtually disappears into the canopy
- Illuminates without distraction and glare
- Pendant or surface mounted with 3/4" conduit
- Universal retrofit solution for HID replacements for various sizes
- IP65 rating to keep water and insects out
- Cast Aluminum with integral heat sink to maintain optimal thermal performance for long LED life Cast aluminum



SPECIFICATIONS

CONSTRUCTION

- Die-cast aluminum, low profile housing
- New construction or retrofit solution
- Canopy and soffit applications
- Easy installation
- Driver and optical chamber serviceable from below canopy
- Powder coat finish
- Heat sink design to disperse heat away from fixture
- Suitable for wet locations

OPTICS

- Acrylic Lens
- Type V distribution
- Comfort lens for low glare
- Light Guide Edge-Lit technology

INSTALLATION

- Surface or pendant mounted
- Easy installation and serviceable below the canopy deck
- Hinge for hanging during service

ELECTRICAL

- Universal 120-277 input voltage and 347 Volt
- Power Factor > 0.9 at full load
- Total Harmonic Distortion < 20% at full load
- 10 kV Surge Protection
- 0-10 Volt Dimmable Driver
- Operating temperature: -40°C to +40°C

CERTIFICATIONS

- UL listed
- DesignLights Consortium™ 5.1 qualified
- Wet Location Listed
- IP65

WARRANTY

- 5 year warranty
- See [HLI Standard Warranty](#) for additional information

ORDERING GUIDE

Example: VSH-85-5K7-UNV-WHG

CATALOG #

VSH					
Series	Size	Color Temp	Voltage	Finish	
VSH Vanish	55	4K7	UNV Universal	WHG	Petroleum White
	85	5K7	347 347V	DBS	Petroleum Dark Bronze
	140		480 480V	BLS	Petroleum Black

KEY DATA	
Lumen Range	8,800 - 20,200
Wattage Range	55 - 140 Watts
Efficacy Range (LPW)	138 - 157
Reported Life (Hours)	60,000

Vanish

PETROLEUM GAS CANOPY

STOCK ORDERING INFORMATION

Catalog Number	Stock Number	Wattage	Voltage	CCT/CRI	Finish
VSH-85-5K7	93133024	85W	UNV	5000K/70CRI	Petroleum White

PERFORMANCE DATA

Product	Lumens	B	U	G	LPW	CRI	CCT
VSH-55-4K7	8846	3	0	2	153	70	4000K
VSH-55-5K7	9069	3	0	2	157	70	5000K
VSH-85-4K7	13296	3	0	2	152	70	4000K
VSH-85-5K7	13666	3	0	2	157	70	5000K
VSH-140-4K7	19649	4	0	3	138	70	4000K
VSH-140-5K7	20196	4	0	3	142	70	5000K

Data is considered to be representative of the configurations shown. Actual performance may differ as a result of end-user environment application and inherent performance balances of the electrical components.

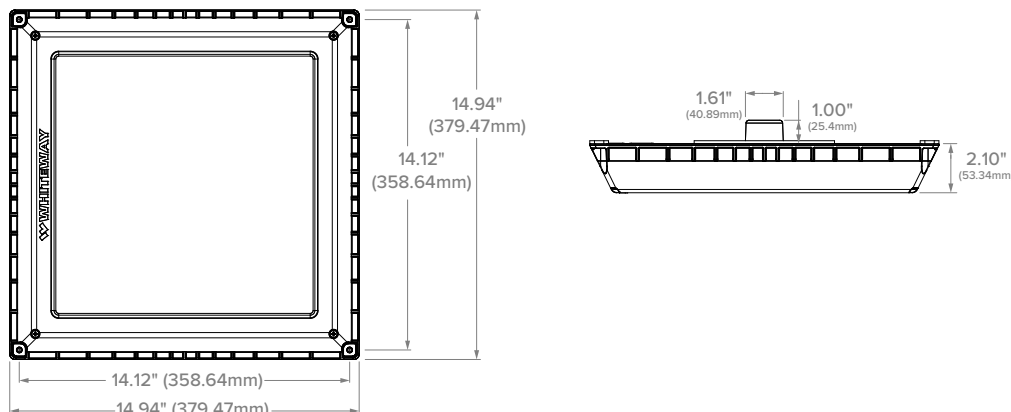
PROJECTED LUMEN MAINTENANCE

Ambient Temperature	OPERATING HOURS					
	0	25,000	50,000	TM-21-11' L96 60,000	100,000	L70 (Hours)
25°C / 77°F	1.00	0.94	0.92	0.90	0.81	>170,000
40°C / 104°F	0.99	0.94	0.92	0.89	0.80	>160,000

LUMINAIRE AMBIENT TEMPERATURE FACTOR (LATF)

Ambient Temperature		Lumen Multiplier
0°C	32°F	1.03
10°C	50°F	1.01
20°C	68°F	1.00
25°C	77°F	1.00
30°C	86°F	0.99
40°C	104°F	0.98
50°C	122°F	0.97

DIMENSIONS



Vanish

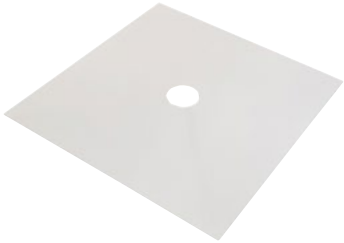
PETROLEUM GAS CANOPY

MOUNTING ACCESSORIES

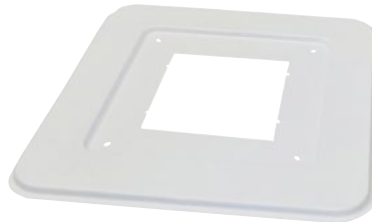
Accessories (order separately)

- 93133148** WHITEWAY 15 IN CVR PLT WHT VSH/GSY Retrofit cover plate for LSI Encore 15" square-replacement for 10" opening
- 93133149** WHITEWAY DECORATIVE CVR PLT VSH/GSY 26" Decorative Beauty Plate for Canopy Retrofits
- 93133151** WHITEWAY HID RETRFT KIT WHT VSH/GSY Universal HID retrofit kit (fits any square HID housing between 21" & 23" square.)
- 93133177** WHITEWAY STEM AND JUNCTION BOX

93133148



93133149



93133151

- Measure outside dimension of existing housing



93133177

